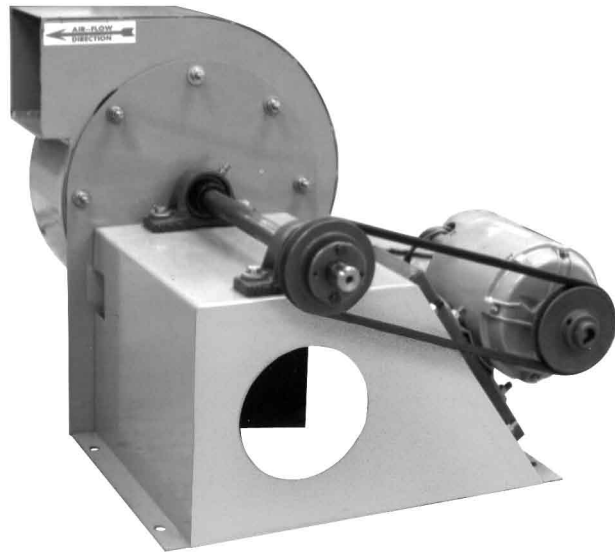


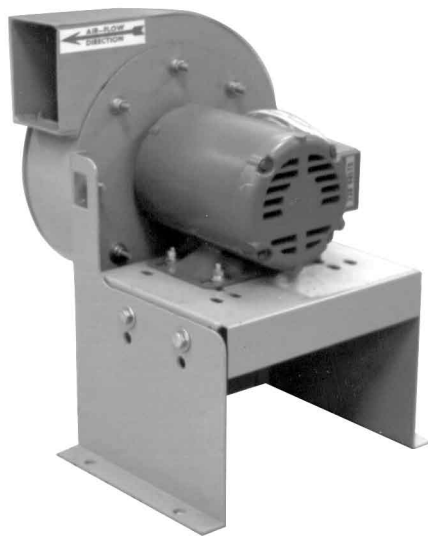


## ***PRESSURE BLOWER***

***Model PB***



**Arrangement 9**



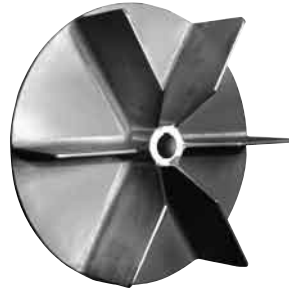
**Arrangement 4**

# Model PB Pressure Blowers

Pressure blowers provide medium pressure air for cooling, ventilating and exhaust systems handling dust, materials or corrosive fumes.

## Features

- Direct drive or belt driven
- Wheel diameters from 8" through 12"
- Flow capacities to 1275 CFM
- Static pressure to 10" w.g.
- Temperature to 600°F (with modifications)



## Wheel

Cast aluminum wheel furnished as standard. Suitable for air, light dust, and mild chemicals in acidic pH range. For resistance to more severe abrasion, chemicals and high temperatures, specify an aluminum-bronze "Dura" alloy wheel. Fabricated steel and stainless steel wheels are available upon request.

## Accessories

### Weather Cover and Belt Guard

The weather cover protects the motor, drives, and bearings from the elements. Available on Arr. 9 fans with fractional horsepower motors only.

The belt guard is available for all belt driven arrangements and sizes. Complete mounting details are required for Arrangement 1 fans.

### Motor Cover

The motor cover protects the motor from the elements. Available on Arr. 4 fans only.

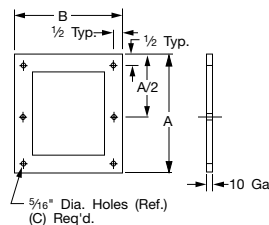
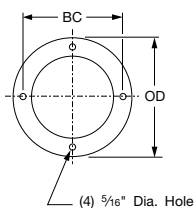
### Drain

1" standard drain welded to housing at lowest point.

### Flanged Inlet and Outlet

The **flanged inlet** is a circular plate welded flush with standard slip inlet. Holes are provided.

The **flanged outlet** is welded flush to the outlet. Holes are provided for matching the duct flange.



SIZE	OD	BC
8A	8	7
10 AB	9	8
12 AB	9	8

SIZE	A	B	C
8A	6 <sup>5</sup> / <sub>8</sub>	5 <sup>5</sup> / <sub>8</sub>	4
10A	7 <sup>5</sup> / <sub>8</sub>	5 <sup>5</sup> / <sub>8</sub>	4
10B	7 <sup>5</sup> / <sub>8</sub>	7 <sup>5</sup> / <sub>8</sub>	4
12A	9	5 <sup>5</sup> / <sub>8</sub>	6
12B	9	7 <sup>5</sup> / <sub>8</sub>	6

### Shaft Seals (belt driven units only)

**Elastomeric rotary seal** — Rides against a heavy Teflon wear plate. A spare seal is provided as standard. This seal is suitable for operation up to 300°F.

**Ceramic felt** — Elements are encased between housing drive side and metal retaining plate. Ceramic felt inserts may easily split for field installation and maintenance. This seal is best suited for 301°F to 600°F operation. These seals minimize leakage around shaft opening but are not gas tight.

### Heat Fan

**Belt driven heat fan (Arr. 1 & 9)** includes aluminum-bronze "Dura" wheel and A240 aluminum two-piece heat slinger. Arrangement 9 includes a motor heat shield. Suitable for temperatures to 600°F.

**Direct drive heat fan (Arr. 8)** — Consult factory. Includes aluminum-bronze "Dura" wheel and A240 aluminum two-piece heat slinger. Suitable for temperatures to 600°F.

### Special Alloys

- Stainless steel fan housing and wheel
- Aluminum fan housing and wheel
- "Dura" aluminum-bronze alloy wheel

### Spark resistant construction

To reduce danger of explosion.

Type A — All aluminum fan housing and wheel Arrangements 1, 8 and 9

Type B — Aluminum wheel and nonferrous closure plate around the shaft opening

### Coatings

Special corrosion resistant coatings available upon request.

©1999 Twin City Fan Companies, Ltd., Aerovent All rights reserved throughout the world.

Bulletin illustrations cover the general appearance of Aerovent products at the time of publication and we reserve the right to make changes in design and construction at any time without notice.

# Drive Arrangements

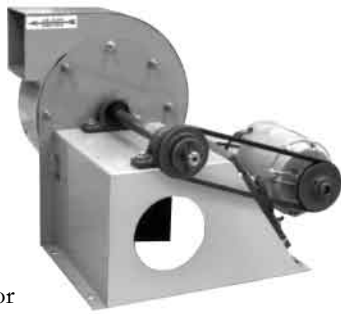
## Arrangement 1

Versatile and rugged V-belt drive arrangement with the motor mounted separate from the fan base. Maximum temperature of standard fan is 300°F. Maximum temperature of heat fan is 600°F\*. Specify AMCA motor position designation (see below) and fan RPM when ordering fan complete with drives and motor.



## Arrangement 9

Compact V-belt drive arrangement with the motor mounted on the fan support base. This arrangement will accept a full range of motor frame sizes through 184T. Maximum temperature of standard fan is 300°F. Maximum temperature of heat fan is 600°F\*. Standard construction is with the motor on the right when facing the end of the shaft. Indicate motor and mounting description (right or left) when ordering.



\* Heat fan includes an aluminum-bronze "Dura" alloy wheel, A240 aluminum two-piece heat slinger, and heat shield. The heat slinger protects against transfer of heat through the shaft to the bearings.

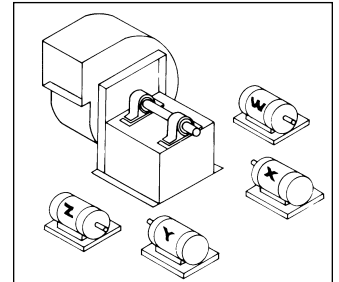
## Arrangement 4

The most compact and least expensive direct drive arrangement with the wheel mounted directly on the motor shaft. Arrangement 4 fans are available in a limited number of models. Minimum motor frame size is 48 for the 8" and 56 for the 10" and 12". Maximum temperature of standard arrangement 4 fan is 180°F. For direct drive heat fans (Arrangement 8 only), please consult the factory.



## Motor Positions

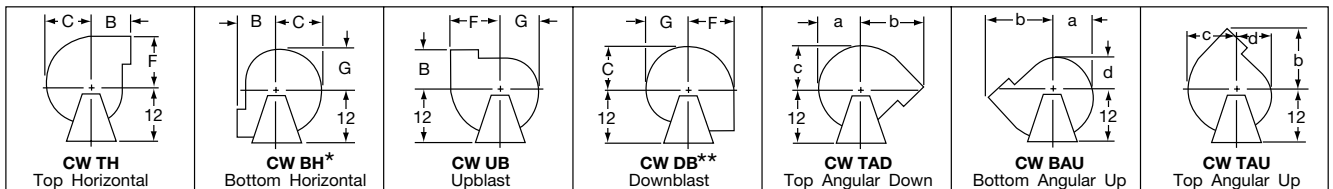
The drawing at right illustrates the AMCA motor position standards for Arrangement 1 fans. The location of the motor is determined by facing the drive side of the fan and designating the motor position by letters W, X, Y, or Z.



Illustrations reprinted from AMCA Publication 99 Standards Handbook, with the express written permission from the Air Movement & Control Association International, Inc., 30 West University Drive, Arlington Heights, IL 60004-1893.

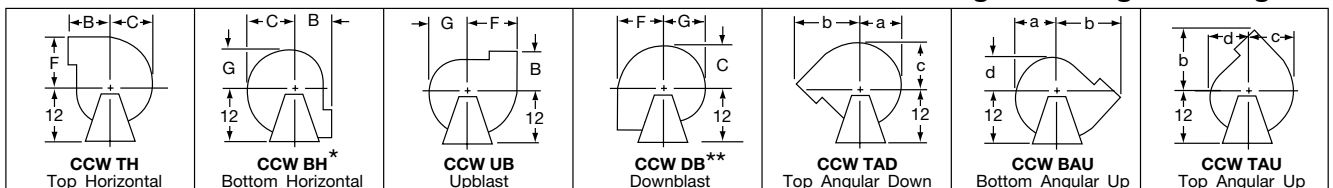
# Discharge Arrangements

### Clockwise



### Angular Discharges at 45 Degrees

### Counterclockwise



### Angular Discharges at 45 Degrees

\*In "BH" position, Size 12A and 12B with flanged outlet, flange will extend below baseline.

\*\*"DH" position with flanged outlet requires special construction. Contact factory for details. See dimensions on page 7.

# Performance Data

## Arrangement 4 – Direct Drive

FAN SIZE	MOTOR		½" SP		¾" SP		1" SP		1½" SP		2" SP		3" SP		4" SP		5" SP		6" SP		7" SP		8" SP	
	HP	RPM	CFM	BHP	CFM	BHP	CFM	BHP	CFM	BHP	CFM	BHP	CFM	BHP	CFM	BHP	CFM	BHP	CFM	BHP	CFM	BHP	CFM	BHP
PB 8A-14	¼	1725	157	0.03	96	0.02																		
PB 8A-13	½	3450	471	0.39	447	0.37	423	0.36	372	0.32	315	0.27	191	0.17										
PB 10A-12	½	1725	329	0.13	276	0.11	222	0.09																
PB 10A-1	1	3450			775	1.25	753	1.15	707	1.08	659	1.01	552	0.85	444	0.73	334	0.62						
PB 10A-112	1½	3500	808	1.29	788	1.71	767	1.21	722	1.13	674	1.06	570	0.91	463	0.77	357	0.66						
PB 10B-12	½	1725	537	0.29	454	0.17	375	0.15	148	0.08														
PB 10B-1	1	3450															583	0.98	297	0.64				
PB 10B-112	1½	3500									1098	1.60	936	1.44	778	1.29	620	1.07	385	0.75				
PB 12A-12	½	1725	573	0.29	529	0.27	485	0.25	370	0.20	190	0.13												
PB 12A-2	2	3500													995	2.11	892	1.92	771	1.72	636	1.47	447	1.18
PB 12A-3	3	3500	1307	2.62	1283	2.59	1259	2.57	1212	2.51	1168	2.45	1081	2.31										
PB 12B-12	½	1725	866	0.40	802	0.38	734	0.36	576	0.29	353	0.22												
PB 12B-3	3	3500											1639	3.20	1506	3.00	1361	2.78	1197	2.50	1033	2.32	791	1.97

## Arrangement 1 & 9 – Belt Driven

### PB8A

Inlet: 6" O.D. Outlet: 0.103 Sq. Ft. Based on air density of 0.075 lbs. per cu. ft.

CFM	OV	½" SP		¾" SP		1½" SP		2" SP		3" SP		4" SP		5" SP		6" SP		7" SP		8" SP			
		RPM	BHP	RPM	BHP	RPM	BHP	RPM	BHP	RPM	BHP	RPM	BHP	RPM	BHP	RPM	BHP	RPM	BHP	RPM	BHP		
41	400	1318	0.01	1849	0.02																		
62	600	1358	0.01	1868	0.02	2273	0.03	2617	0.05														
82	800	1422	0.01	1906	0.02	2297	0.04	2635	0.05	3210	0.09	3697	0.13										
103	1000	1499	0.02	1966	0.03	2340	0.05	2667	0.06	3230	0.10	3713	0.14	4142	0.19	4530	0.24	4888	0.30				
124	1200	1580	0.02	2040	0.04	2401	0.06	2715	0.07	3262	0.11	3737	0.15	4160	0.20	4546	0.25	4902	0.31				
144	1400	1665	0.03	2114	0.05	2470	0.07	2775	0.09	3305	0.13	3769	0.17	4185	0.22	4566	0.27	4920	0.33				
165	1600	1759	0.04	2194	0.06	2548	0.08	2848	0.10	3363	0.15	3813	0.19	4221	0.24	4596	0.29	4944	0.35				
185	1800	1850	0.05	2274	0.07	2622	0.09	2921	0.12	3428	0.17	3867	0.22	4265	0.27	4633	0.32	4976	0.38				
206	2000	1950	0.06	2365	0.08	2702	0.11	2999	0.14	3502	0.19	3932	0.25	4321	0.30	4680	0.36						
227	2200	2055	0.07	2460	0.10	2787	0.13	3078	0.16	3579	0.22	4005	0.28	4386	0.34	4737	0.40						
247	2400	2158	0.08	2550	0.12	2873	0.15	3156	0.18	3653	0.25	4077	0.31	4453	0.38	4799	0.44						
268	2600	2269	0.10	2646	0.13	2968	0.17	3242	0.20	3731	0.28	4155	0.35	4529	0.42	4870	0.49						
288	2800	2378	0.12	2741	0.15	3057	0.19	3330	0.23	3808	0.31	4229	0.39	4602	0.46	4941	0.54						
309	3000	2494	0.14	2845	0.18	3152	0.22	3425	0.26	3892	0.34	4307	0.42	4680	0.51								
330	3200	2614	0.16	2951	0.20	3249	0.25	3519	0.29	3978	0.38	4387	0.47	4757	0.56								
350	3400	2729	0.18	3055	0.23	3344	0.28	3609	0.33	4066	0.42	4466	0.51	4833	0.60								
371	3600	2851	0.21	3166	0.26	3447	0.31	3705	0.36	4161	0.46	4552	0.55	4913	0.65								
391	3800	2969	0.24	3273	0.30	3548	0.35	3799	0.40	4251	0.51	4637	0.60	4992	0.71								
412	4000	3094	0.28	3388	0.33	3655	0.39	3900	0.45	4345	0.56	4731	0.66										
433	4200	3220	0.31	3505	0.38	3764	0.44	4004	0.49	4440	0.61	4826	0.73										
453	4400	3341	0.35	3618	0.42	3870	0.48	4104	0.54	4531	0.67	4915	0.79										
474	4600	3469	0.40	3738	0.47	3983	0.53	4211	0.60	4629	0.73												
494	4800	3592	0.44	3853	0.52	4092	0.59	4315	0.65	4725	0.79												
515	5000	3721	0.49	3976	0.57	4207	0.64	4426	0.72	4827	0.86												

Performance shown for direct drive and belt driven fans is with inlet and outlet ducts. BHP does not include transmission losses.

# Arrangement 1 & 9 – Belt Driven

## PB10A

Inlet: 7" O.D. Outlet: 0.126 Sq. Ft. Based on air density of 0.075 lbs. per cu. ft.

CFM	OV	½" SP		¾" SP		1" SP		2" SP		3" SP		4" SP		5" SP		6" SP		7" SP		8" SP		10" SP	
		RPM	BHP	RPM	BHP	RPM	BHP	RPM	BHP	RPM	BHP	RPM	BHP	RPM	BHP	RPM	BHP	RPM	BHP	RPM	BHP	RPM	BHP
50	400	1021	0.01	1248	0.02																		
76	600	1039	0.02	1257	0.03	1446	0.04																
101	800	1081	0.02	1283	0.03	1462	0.04	2043	0.10	2495	0.18												
126	1000	1139	0.02	1329	0.04	1497	0.05	2054	0.12	2502	0.19	2884											
151	1200	1204	0.03	1387	0.04	1546	0.06	2076	0.13	2513	0.21	2891	0.30	3227	0.40	3531	0.51						
176	1400	1272	0.04	1451	0.05	1605	0.07	2113	0.14	2533	0.23	2903	0.32	3235	0.43	3538	0.54	3818	0.66	4078	0.79		
202	1600	1343	0.05	1520	0.06	1672	0.08	2163	0.15	2566	0.24	2923	0.35	3249	0.46	3548	0.58	3826	0.70	4085	0.83	4561	1.12
227	1800	1413	0.06	1589	0.08	1738	0.09	2217	0.17	2609	0.26	2953	0.37	3269	0.48	3563	0.61	3837	0.74	4094	0.88	4568	1.17
252	2000	1485	0.07	1658	0.09	1807	0.11	2278	0.19	2658	0.28	2994	0.39	3299	0.51	3585	0.64	3854	0.78	4107	0.92	4577	1.22
277	2200	1560	0.09	1727	0.11	1876	0.13	2342	0.22	2713	0.31	3041	0.42	3339	0.54	3616	0.67	3877	0.81	4126	0.96	4589	1.27
302	2400	1638	0.11	1799	0.13	1945	0.15	2407	0.24	2773	0.34	3092	0.45	3385	0.57	3655	0.71	3909	0.85	4152	1.01	4607	1.33
328	2600	1721	0.13	1876	0.15	2018	0.17	2477	0.27	2839	0.38	3152	0.49	3437	0.61	3702	0.74	3951	0.89	4187	1.05	4631	1.38
353	2800	1803	0.15	1953	0.17	2090	0.20	2546	0.31	2904	0.42	3213	0.53	3492	0.65	3752	0.79	3997	0.94	4228	1.09	4661	1.44
378	3000	1887	0.17	2031	0.20	2165	0.23	2615	0.34	2970	0.46	3277	0.58	3551	0.71	3805	0.84	4046	0.98	4274	1.14	4699	1.49
403	3200	1973	0.20	2112	0.23	2241	0.26	2684	0.38	3037	0.50	3341	0.64	3613	0.77	3863	0.90	4098	1.04	4323	1.20	4742	1.55
428	3400	2060	0.23	2194	0.27	2319	0.30	2753	0.42	3106	0.55	3407	0.69	3677	0.83	3924	0.97	4155	1.11	4375	1.27	4789	1.61
454	3600	2153	0.27	2281	0.30	2402	0.34	2825	0.47	3178	0.61	3476	0.75	3744	0.90	3990	1.05	4218	1.19	4434	1.35	4840	1.69
479	3800	2243	0.31	2366	0.35	2483	0.38	2897	0.52	3247	0.66	3545	0.81	3810	0.97	4054	1.12	4281	1.28	4494	1.44	4893	1.77
504	4000	2334	0.35	2453	0.39	2566	0.43	2970	0.58	3315	0.72	3614	0.88	3877	1.04	4119	1.20	4345	1.37	4556	1.53	4949	1.87
529	4200	2426	0.40	2540	0.44	2650	0.48	3044	0.63	3385	0.79	3683	0.95	3945	1.11	4185	1.28	4409	1.46	4620	1.63		
554	4400	2520	0.45	2629	0.49	2735	0.53	3120	0.70	3455	0.86	3751	1.02	4014	1.19	4252	1.37	4474	1.55	4684	1.73		
580	4600	2617	0.51	2723	0.55	2825	0.59	3200	0.77	3529	0.94	3823	1.11	4086	1.28	4323	1.46	4543	1.65	4751	1.84		
605	4800	2712	0.57	2814	0.62	2913	0.66	3278	0.84	3601	1.02	3892	1.19	4155	1.37	4392	1.56	4611	1.75	4817	1.95		
630	5000	2808	0.64	2905	0.68	3001	0.73	3358	0.92	3675	1.10	3962	1.29	4223	1.47	4461	1.66	4679	1.86	4884	2.06		

## PB10B

Inlet: 7" O.D. Outlet: 0.203 Sq. Ft. Based on air density of 0.075 lbs. per cu. ft.

CFM	OV	½" SP		¾" SP		1" SP		2" SP		3" SP		4" SP		5" SP		6" SP		7" SP		8" SP		10" SP	
		RPM	BHP	RPM	BHP	RPM	BHP	RPM	BHP	RPM	BHP	RPM	BHP	RPM	BHP	RPM	BHP	RPM	BHP	RPM	BHP	RPM	BHP
81	400	994	0.02	1211	0.03																		
122	600	1019	0.02	1228	0.03	1409	0.04	1975	0.11														
162	800	1062	0.03	1260	0.04	1432	0.05	1988	0.12	2422	0.21												
203	1000	1117	0.04	1307	0.05	1472	0.06	2008	0.14	2437	0.22	2802	0.33	3125	0.44								
244	1200	1182	0.05	1361	0.06	1521	0.08	2038	0.16	2457	0.25	2818	0.35	3138	0.47	3430	0.59	3698	0.73	3949	0.87		
284	1400	1253	0.06	1422	0.08	1575	0.10	2078	0.18	2484	0.27	2838	0.38	3155	0.50	3444	0.63	3712	0.77	3961	0.92	4418	1.24
325	1600	1326	0.08	1494	0.10	1637	0.12	2126	0.21	2520	0.31	2866	0.42	3178	0.54	3464	0.67	3728	0.82	3976	0.97	4431	1.29
365	1800	1398	0.09	1566	0.12	1707	0.15	2177	0.24	2564	0.35	2900	0.46	3205	0.59	3487	0.72	3749	0.87	3994	1.02	4446	1.35
406	2000	1473	0.11	1638	0.14	1780	0.17	2233	0.28	2614	0.40	2943	0.52	3240	0.64	3516	0.78	3774	0.93	4017	1.09	4465	1.43
447	2200	1550	0.13	1712	0.17	1853	0.20	2295	0.33	2666	0.45	2991	0.58	3283	0.71	3552	0.85	3804	1.00	4043	1.16	4487	1.51
487	2400	1626	0.16	1785	0.19	1924	0.23	2362	0.37	2721	0.51	3041	0.64	3329	0.78	3593	0.92	3840	1.08	4074	1.24	4512	1.59
528	2600	1708	0.18	1861	0.23	1998	0.27	2435	0.43	2781	0.57	3094	0.71	3379	0.86	3640	1.01	3883	1.17	4113	1.33	4542	1.69
568	2800	1789	0.22	1937	0.26	2071	0.30	2507	0.48	2844	0.64	3149	0.79	3430	0.95	3689	1.1	3929	1.27	4155	1.44	4576	1.80
609	3000	1873	0.26	2017	0.30	2148	0.35	2580	0.54	2915	0.71	3210	0.88	3485	1.04	3740	1.21	3979	1.38	4203	1.56	4617	1.92
650	3200	1959	0.30	2098	0.34	2225	0.39	2652	0.60	2988	0.79	3275	0.97	3543	1.14	3794	1.32	4030	1.50	4252	1.68	4663	2.06
690	3400	2044	0.35	2179	0.39	2303	0.44	2723	0.66	3060	0.87	3342	1.06	3603	1.25	3849	1.44	4082	1.62	4302	1.81	4709	2.21
731	3600	2134	0.40	2263	0.45	2384	0.50	2797	0.73	3133	0.96	3415	1.16	3668	1.36	3909	1.56	4138	1.76	4355	1.96	4759	2.37
771	3800	2224	0.46	2346	0.51	2464	0.56	2870	0.80	3204	1.04	3487	1.27	3736	1.48	3970	1.69	4195	1.90	4409	2.11	4809	2.53
812	4000	2317	0.52	2433	0.57	2547	0.63	2945	0.88	3276	1.13	3561	1.38	3808	1.61	4037	1.83	4256	2.05	4467	2.27	4862	2.71
853	4200	2412	0.60	2521	0.65	2631	0.70	3022	0.96	3349	1.23	3634	1.50	3882	1.74	4107	1.98	4321	2.21	4527	2.44	4917	2.90
893	4400	2505	0.67	2609	0.73	2715	0.79	3097	1.05	3421	1.33	3704	1.61	3954	1.88	4178	2.13	4387	2.37	4589	2.62	4973	3.10
934	4600	2602	0.76	2700	0.82	2801	0.88	3176	1.14	3496	1.44	3777	1.74	4028	2.03	4252	2.29	4459	2.55	4655	2.80		
974	4800	2697	0.85	2791	0.91	2887	0.97	3253	1.24	3569	1.55	3848	1.86	4098	2.17	4324	2.46	4530	2.73	4724	2.99		
1015	5000	2795	0.95	2885	1.01	2977	1.08	3333	1.35	3646	1.67	3921	1.99	4171	2.32	4398	2.63	4604	2.92	4796	3.20		

Performance shown for direct drive and belt driven fans is with inlet and outlet ducts. BHP does not include transmission losses.

# Arrangement 1 & 9 – Belt Driven

## PB12A

Inlet: 7" O.D. Outlet: 0.158 Sq. Ft. Based on air density of 0.075 lbs. per cu. ft.

CFM	OV	½" SP		¾" SP		1" SP		2" SP		3" SP		4" SP		5" SP		6" SP		7" SP		8" SP		10" SP	
		RPM	BHP	RPM	BHP	RPM	BHP	RPM	BHP	RPM	BHP	RPM	BHP	RPM	BHP	RPM	BHP	RPM	BHP	RPM	BHP	RPM	BHP
63	400																						
95	600	862	0.02	1047	0.03	1204	0.04																
126	800	890	0.02	1062	0.03	1215	0.04																
158	1000	923	0.03	1094	0.04	1237	0.05	1710	0.11	2085	0.18												
190	1200	960	0.03	1127	0.05	1271	0.06	1725	0.13	2093	0.21	2409	0.29										
221	1400	1008	0.04	1161	0.06	1302	0.07	1748	0.15	2106	0.23	2418	0.32	2695	0.41								
253	1600	1060	0.05	1206	0.07	1337	0.08	1781	0.17	2126	0.25	2431	0.35	2705	0.45	2955	0.56	3187	0.67				
284	1800	1110	0.06	1256	0.08	1380	0.10	1813	0.19	2153	0.28	2449	0.38	2718	0.49	2966	0.60	3195	0.72	3410	0.85		
316	2000	1167	0.07	1308	0.10	1431	0.12	1845	0.21	2187	0.31	2475	0.42	2737	0.53	2980	0.65	3207	0.78	3420	0.91	3812	1.18
348	2200	1230	0.09	1360	0.11	1483	0.14	1880	0.23	2221	0.34	2508	0.46	2762	0.58	2999	0.70	3223	0.83	3433	0.97	3822	1.25
379	2400	1294	0.11	1414	0.13	1533	0.16	1919	0.26	2252	0.37	2541	0.50	2793	0.62	3024	0.75	3242	0.89	3449	1.03	3834	1.33
411	2600	1363	0.13	1475	0.15	1586	0.18	1966	0.29	2285	0.41	2574	0.54	2827	0.68	3055	0.81	3268	0.95	3470	1.10	3849	1.41
442	2800	1431	0.16	1539	0.18	1641	0.21	2016	0.33	2321	0.44	2605	0.58	2860	0.73	3088	0.87	3298	1.02	3496	1.17	3867	1.49
474	3000	1501	0.19	1606	0.21	1702	0.24	2068	0.37	2364	0.49	2638	0.63	2892	0.78	3123	0.94	3332	1.09	3527	1.25	3890	1.58
506	3200	1572	0.22	1675	0.25	1768	0.27	2119	0.41	2413	0.54	2675	0.68	2924	0.83	3155	1.00	3366	1.16	3561	1.33	3919	1.67
537	3400	1643	0.25	1743	0.28	1833	0.31	2169	0.45	2462	0.60	2716	0.73	2957	0.89	3186	1.06	3398	1.24	3595	1.41	3951	1.77
569	3600	1716	0.29	1813	0.33	1901	0.36	2222	0.49	2514	0.65	2762	0.80	2995	0.95	3219	1.13	3430	1.31	3628	1.50	3985	1.87
600	3800	1787	0.33	1881	0.37	1968	0.41	2275	0.54	2564	0.71	2811	0.87	3036	1.02	3253	1.20	3462	1.38	3659	1.58	4019	1.97
632	4000	1862	0.37	1953	0.42	2038	0.46	2334	0.60	2615	0.77	2862	0.94	3082	1.10	3292	1.27	3495	1.46	3691	1.66	4052	2.08
664	4200	1936	0.42	2026	0.47	2108	0.51	2395	0.66	2667	0.84	2914	1.02	3131	1.19	3335	1.36	3532	1.55	3724	1.75	4084	2.18
694	4400	2007	0.47	2095	0.52	2175	0.57	2455	0.72	2716	0.90	2963	1.10	3179	1.28	3379	1.46	3570	1.64	3757	1.84	4114	2.28
727	4600	2085	0.53	2171	0.59	2249	0.64	2523	0.80	2773	0.97	3016	1.18	3233	1.38	3430	1.57	3616	1.75	3797	1.95	4147	2.40
758	4800	2158	0.59	2243	0.65	2320	0.70	2589	0.88	2828	1.05	3065	1.26	3284	1.48	3479	1.68	3662	1.87	3838	2.06	4181	2.51
790	5000	2235	0.66	2317	0.72	2393	0.78	2657	0.97	2888	1.14	3118	1.35	3335	1.58	3531	1.79	3712	1.99	3884	2.19	4217	2.63

## PB12B

Inlet: 7" O.D. Outlet: 0.255 Sq. Ft. Based on air density of 0.075 lbs. per cu. ft.

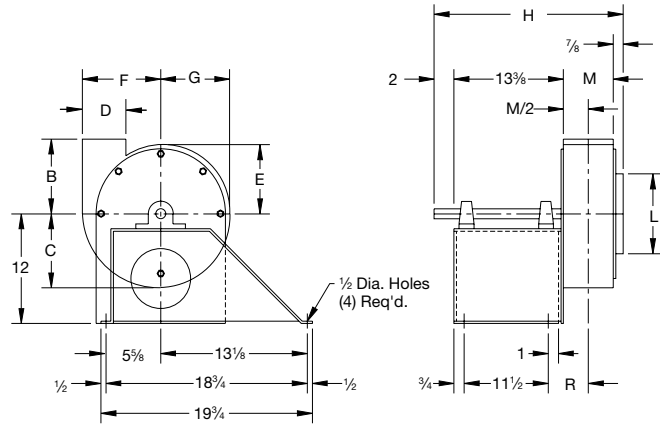
CFM	OV	½" SP		¾" SP		1" SP		2" SP		3" SP		4" SP		5" SP		6" SP		7" SP		8" SP		10" SP	
		RPM	BHP	RPM	BHP	RPM	BHP	RPM	BHP	RPM	BHP	RPM	BHP	RPM	BHP	RPM	BHP	RPM	BHP	RPM	BHP	RPM	BHP
102	400	836	0.02																				
153	600	851	0.02	1031	0.04	1184	0.05																
204	800	879	0.03	1050	0.05	1199	0.06	1673	0.15														
255	1000	916	0.04	1080	0.06	1223	0.08	1685	0.17	2050	0.28	2361	0.40										
306	1200	967	0.05	1117	0.07	1254	0.10	1702	0.19	2061	0.30	2369	0.43	2642	0.58	2891	0.73						
357	1400	1023	0.06	1165	0.09	1293	0.11	1727	0.22	2078	0.33	2381	0.47	2652	0.62	2898	0.78	3126	0.95	3339	1.13		
408	1600	1080	0.08	1221	0.10	1341	0.13	1758	0.26	2100	0.38	2397	0.51	2665	0.66	2909	0.83	3134	1.00	3346	1.19	3734	1.59
439	1800	1117	0.09	1255	0.12	1374	0.15	1778	0.27	2116	0.41	2410	0.54	2675	0.69	2917	0.86	3141	1.04	3351	1.23	3738	1.64
510	2000	1208	0.12	1335	0.15	1453	0.18	1832	0.32	2160	0.48	2446	0.63	2703	0.79	2940	0.95	3162	1.14	3369	1.33	3751	1.75
561	2200	1276	0.15	1397	0.18	1510	0.21	1880	0.36	2194	0.53	2476	0.70	2729	0.87	2962	1.04	3180	1.22	3385	1.41	3764	1.84
612	2400	1347	0.18	1462	0.21	1569	0.25	1934	0.40	2233	0.58	2509	0.76	2759	0.95	2988	1.14	3202	1.32	3404	1.52	3780	1.94
663	2600	1420	0.21	1530	0.25	1632	0.29	1990	0.45	2279	0.64	2545	0.83	2791	1.03	3018	1.24	3229	1.44	3427	1.64	3797	2.06
714	2800	1495	0.25	1600	0.30	1698	0.34	2046	0.51	2330	0.70	2585	0.90	2825	1.12	3049	1.34	3258	1.56	3454	1.77	3819	2.20
765	3000	1571	0.30	1672	0.34	1766	0.39	2103	0.57	2385	0.76	2631	0.98	2863	1.20	3083	1.43	3290	1.67	3484	1.91	3844	2.36
816	3200	1648	0.35	1745	0.40	1836	0.45	2161	0.64	2442	0.84	2682	1.06	2905	1.29	3120	1.53	3323	1.78	3516	2.04	3872	2.53
867	3400	1727	0.41	1820	0.46	1907	0.51	2221	0.71	2498	0.92	2736	1.14	2952	1.39	3160	1.64	3359	1.90	3549	2.17	3903	2.70
918	3600	1806	0.47	1895	0.52	1980	0.58	2284	0.79	2554	1.01	2793	1.24	3004	1.49	3204	1.75	3398	2.02	3584	2.30	3934	2.86
969	3800	1887	0.54	1972	0.59	2054	0.65	2349	0.88	2612	1.11	2849	1.34	3059	1.60	3253	1.87	3441	2.15	3623	2.44	3968	3.03
1020	4000	1969	0.62	2050	0.67	2129	0.73	2415	0.97	2671	1.21	2905	1.46	3115	1.71	3306	1.99	3488	2.28	3664	2.58	4003	3.19
1071	4200	2051	0.70	2129	0.76	2205	0.82	2483	1.07	2731	1.33	2962	1.58	3172	1.84	3361	2.13	3539	2.42	3710	2.73	4041	3.36
1122	4400	2134	0.80	2209	0.86	2282	0.92	2553	1.19	2794	1.45	3019	1.71	3228	1.98	3418	2.27	3593	2.57	3760	2.89	4082	3.54
1173	4600	2217	0.90	2289	0.96	2360	1.03	2623	1.30	2859	1.58	3078	1.86	3284	2.13	3474	2.42	3649	2.73	3813	3.05	4126	3.73
1224	4800	2301	1.01	2371	1.07	2439	1.14	2695	1.43	2925	1.72	3139	2.01	3341	2.29	3530	2.59	3705	2.90	3868	3.23	4173	3.92
1275	5000	2385	1.13	2452	1.20	2518	1.26	2767	1.56	2992	1.86	3201	2.17	3399	2.46	3587	2.77	3761	3.08	3924	3.41	4225	4.12

Performance shown for direct drive and belt driven fans is with inlet and outlet ducts. BHP does not include transmission losses.

# Dimensional Data

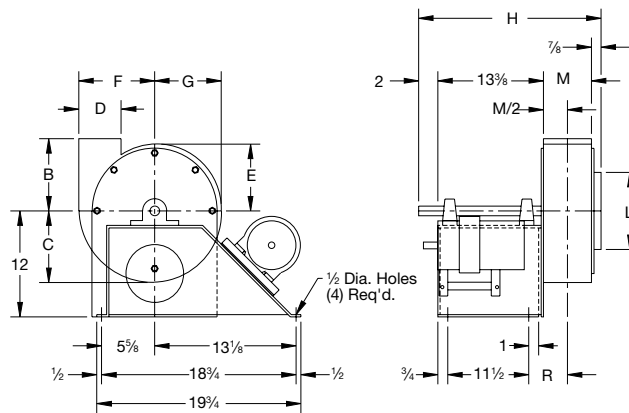
## Arrangement 1

L, M, and D are outside dimensions.



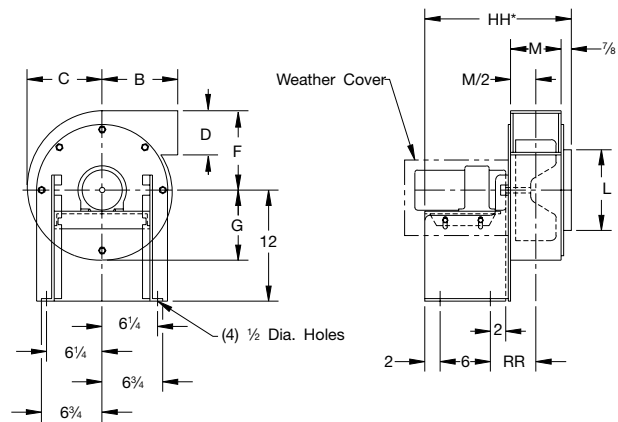
## Arrangement 9

L, M, and D are outside dimensions.



## Arrangement 4

\*Maximum motor overhang for any size motor up to frame 182T is 3". Weather cover extends 3 3/4" (increases HH dimensions by 3 3/4").



## Dimensions (in.) Tolerance: $\pm 1/8$ "

SIZE & WHEEL DIA.	B	C	D	E	F	G	H	L	M	R	HH*	RR	a**	b**	c**	d**	SHAFT DIA.†	KEYWAY †	BASE HOLES
8A	6	6 3/8	4 5/8	5 3/8	6 7/8	5 7/8	19 7/8	6	3 5/8	2 13/16	14 1/2	3 13/16	6 1/4	9 7/8	6 5/8	5 5/8	1	1/4 x 1/8 x 2 1/8	1/2
10A	7 1/2	7 7/8	5 5/8	6 5/8	8 1/2	7 1/4	19 7/8	7	3 3/8	2 13/16	14 1/2	3 13/16	7 3/4	11 1/4	8	6 3/4	1	1/4 x 1/8 x 2 1/8	1/2
10B	7 1/2	7 7/8	5 5/8	6 5/8	8 1/2	7 1/4	21 7/8	7	5 5/8	3 13/16	16 1/2	4 13/16	7 3/4	11 1/4	8	6 3/4	1	1/4 x 1/8 x 2 1/8	1/2
12A	8 1/2	10	7	7 1/2	11 1/4	8 3/4	19 7/8	7	3 3/8	2 13/16	14 1/2	3 13/16	9 5/8	13 7/8	10 5/8	8 1/8	1	1/4 x 1/8 x 2 1/8	1/2
12B	8 1/2	10	7	7 1/2	11 1/4	8 3/4	21 7/8	7	5 5/8	3 13/16	16 1/2	4 13/16	9 5/8	13 7/8	10 5/8	8 1/8	1	1/4 x 1/8 x 2 1/8	1/2

Dimensions should not be used for construction unless certified.

\*\*See Discharge Arrangements, page 3.

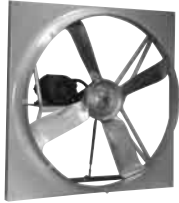
†Arrangements 1 & 9

# Quality Air Handling Equipment

AXIAL FLOW



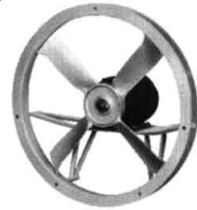
**Tubeaxial**



**Panel Fan**



**Mancooler**



**Ring Fan**



**Tubeaxial Adjustable Pitch**

VANEAXIAL



**Type VT**



**Type W Adjustable Pitch**



**Type VTF Fiberglass**

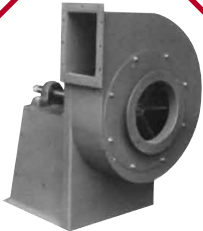


**Type B Higher Pressure**



**Axico Anti-Stall**

CENTRIFUGAL



**Industrial Exhaust**



**CB / CBA**



**Series 14 High Pressure**



**Centaxial**



**Pressure Blower**

ROOF VENTILATOR



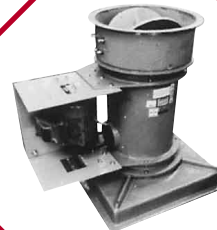
**Upblast Propeller**



**Upblast Axial**



**Tu-WAY™**



**Fiberglass**

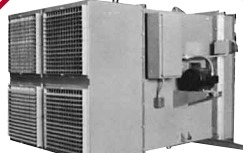


**PRV Centrifugal**

AIR HEATER



**Gas-Fired Air Make-Up**



**Steam Air Make-Up**



**Door Air Heater**

WARRANTY

Aerovent equipment is guaranteed to deliver its rated output, if properly installed and operated under normal conditions. Aerovent will correct by repair, replacement, or issuance of credit at our option, F.O.B. our plant, defects in material or workmanship which may develop under normal and proper use within eighteen (18) months after date of shipment from our factory, if purchaser gives us notice

within ten (10) days of discovering such defects. The correction of these defects by repair, replacement, or issuance of credit shall constitute fulfillment of all obligation to purchaser. (NOTE: We will not assume expense or liability for repairs made outside our factory without prior written consent.)



**Aerovent**

*A Twin City Fan Company*

5959 Trenton Lane · Minneapolis, MN 55442-3237

Phone (763)551-7500 · Fax (763)551-7501 · [www.aerovent.com](http://www.aerovent.com)

3MPP10/06



MEMBER