



Model AHX-E OEM Propellers



8-Bladed AHX-E Propeller

Construction/Design Features

- Adjustable Pitch Blade Design
- Propeller Diameters available 14" through 48"
- 4 and 8 Bladed Configurations
- Durable Die Cast 380 Aluminum Alloy Construction
- Split Taper Lock Bushing (Thru-Bolt Design)
- True Airfoil Blade Design
- Shipped Fully Assembled

Performance

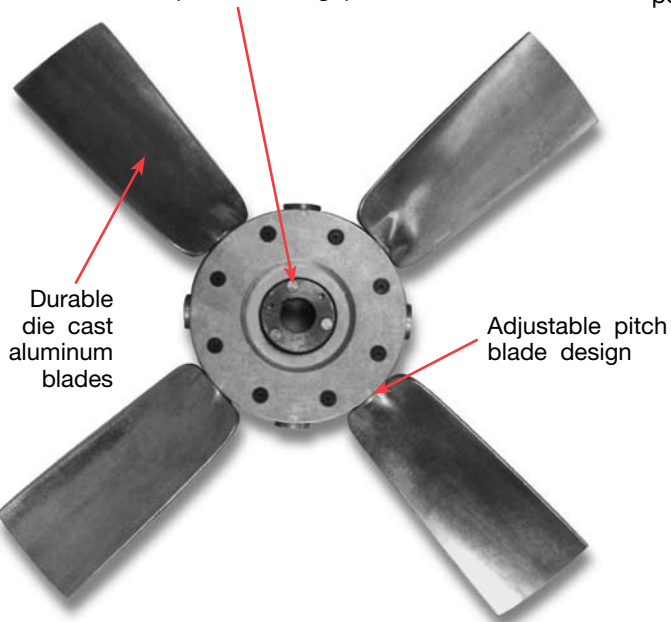
- Capacity Range from 1,000 to 50,000 CFM at free air
- Static Pressures to 2.5" w.g.
- Stable Non-Overloading Power Curve
- Highest Efficiencies in the Industry
- Maximum Tip Speeds — 18,000 fpm
- Maximum Temperature — 275°F (135°C)
- Standard Rotation is Clockwise (Facing Airflow)
- Air Performance Curves and Sound Data Available for both Belt and Direct Drive Applications

Mechanical Features

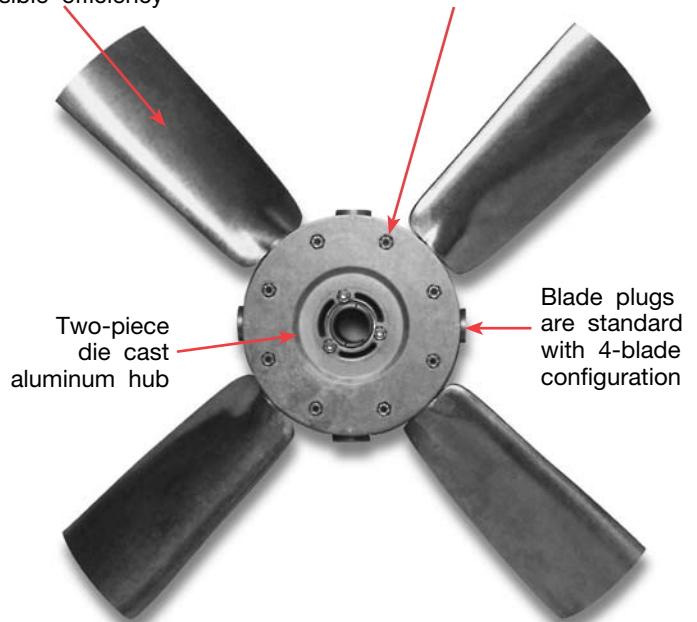
Split taper lock bushing with thru-bolt construction for superior holding power

True airfoil shaped blades provide highest possible efficiency

Hub bolts secured with captive nylon insert lock nuts



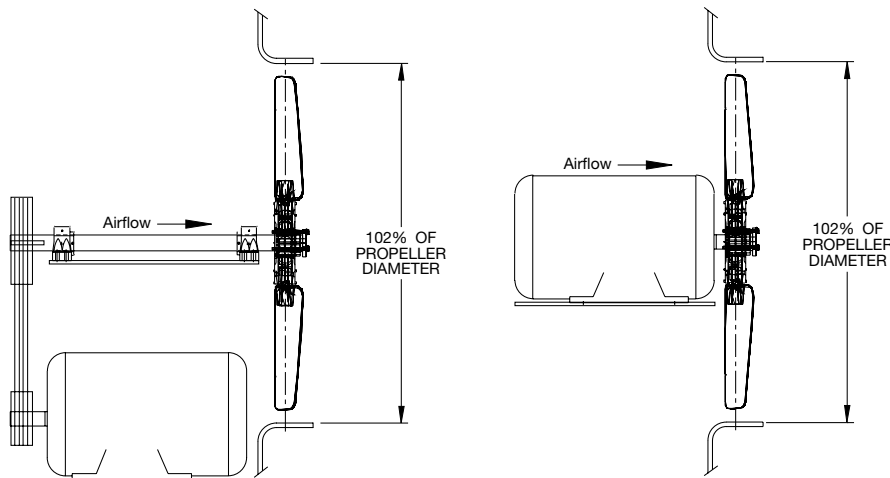
*4-Bladed AHX-E Propeller
Air Leaving Side*



*4-Bladed AHX-E Propeller
Air Entering Side*

Performance Data

As-tested configurations



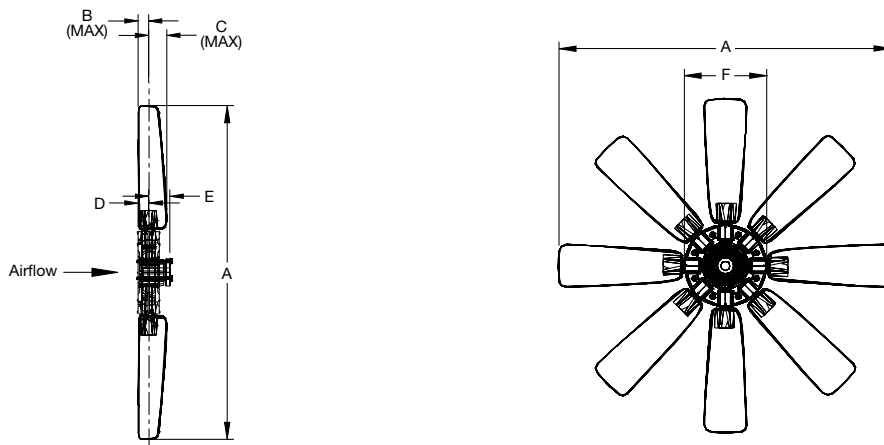
Belt Drive

Direct Drive

SIZE	MAX. PROPELLER RPM	MAX. TIP SPEED (FPM)	HP LIMIT
14	4911	18000	3
16	4297	18000	3
18	3820	18000	5
21	3274	18000	5
24	2865	18000	7.5
30	2292	18000	7.5
36	1910	18000	10
42	1637	18000	15
48	1432	18000	15

1. Fans tested in accordance with AMCA 210-85/ASHRAE 51-85, figure 12 for air performance.
2. Fans tested in accordance with AMCA 300-96 for sound.
3. BHP does not include belt drive losses.

Dimensional Data



SIZE	DIMENSIONS (IN.)						WEIGHT (LBS)		BORE SIZE RANGE				BUSHING TYPE	BUSHING BOLT TORQUE (IN-LBS)	HUB BOLT TORQUE (IN-LBS)
	A	B	C	D	E	F HUB DIA.	4 BLADES	8 BLADES	MIN.		MAX.				
									(IN.)	(MM)	(IN.)	(MM)			
14	14.00	0.83	0.73	0.88	1.75	6	5.9	7.7	0.375	10	1.500	38	H	87	96
16	16.00	0.89	0.77	0.88	1.75	6	6.2	8.1	0.375	10	1.500	38	H	87	96
18	18.00	0.93	0.84	0.88	1.75	6	6.4	8.6	0.375	10	1.500	38	H	87	96
21	21.00	0.96	0.93	0.88	1.75	6	6.9	9.6	0.375	10	1.500	38	H	87	96
24	24.00	1.02	0.99	0.88	1.75	6	7.9	10.9	0.375	10	1.500	38	H	87	96
30	30.00	1.04	2.07	1.13	1.94	9	17.7	24.0	0.750	14	1.750	42	P	156	204
36	36.00	1.04	2.07	1.13	1.94	9	18.9	26.4	0.750	14	1.750	42	P	156	204
42	42.00	1.90	2.30	1.25	1.81	12	34.7	49.6	0.750	14	1.750	42	P	156	204
					2.25				1.000	18	2.625	65	Q	290	
48	48.00	1.75	2.51	1.25	1.81	12	36.1	52.3	0.750	14	1.750	42	P	156	204
					2.25				1.000	18	2.625	65	Q	290	



Aerovent

A Twin City Fan Company

5959 Trenton Lane · Minneapolis, MN 55442-3237

Phone (763) 551-7500 · Fax (763) 551-7501 · www.aerovent.com

